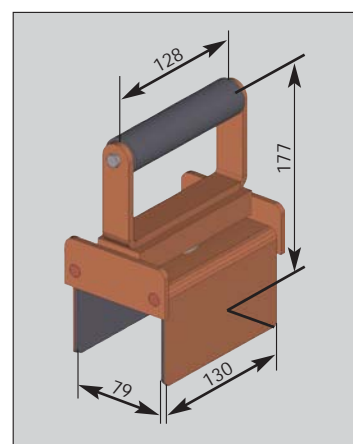


307

Border Stone Lifter



Application Made For Patent

Order No.	Model	Safe Working Load	Contact Surface	Stone Thickness	Paint	Weight
307 080	LSH 80	80 kg	Rubber-Lined	80 mm	Orange	3 kg

- *The ideal lifter for border stones according to DIN 483 of 80 mm thickness*
- *Ergonomic posture when lifting and laying the border stones*
- *Easy clamping and releasing by turning the handle*
- *Compact dimensions and low net weight*