

Round Grab



Application made for Patent Rights.

The Strong Combination of Grab and Sling for the Safe Handling of Cylindrical Parts (Pipes, Cylinders ...)

Sling or Pipe Grab ?

Slings can be used for handling pipes when the pipes are positioned on a squared beam and when the sling can be pushed through underneath the pipe. The advantages of the slings are, however: high carrying capacity, lightweight and inexpensive.

Pipe Grabs are mechanical grabs. They are very solid and assure safe pipe handling. A complete encircling of the load is not necessary as the load is held by frictional and embracing forces.

Why not combine both advantages in one single piece of equipment ?

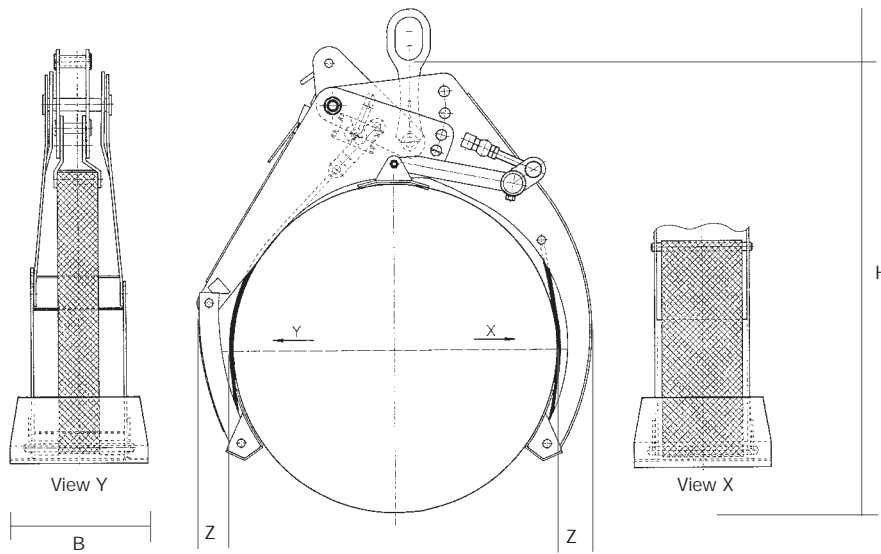
The result is the WIMAG Round Grab WRG:

The solid steel construction assures safe pipe handling even under the toughest circumstances. Due to the built-in automatic mechanism, the round grab opens and closes automatically when picking up or positioning the pipe. The large clamping range is quickly and simply adjusted via a bolt. A control panel guarantees the correct adjustment of the clamping range. The easily adjustable support provides additional safety during handling. The solid suspension eye can be fitted into any lifting equipment.

The wide slings assure careful and safe transport even of delicate or coated pipes. The slings are covered with a protective tube. The slings are additionally protected against wear and tear by protective plates situated at the bottom.

On request the suspension of the round grab can also be effected by a hydraulic turning head or by the JIB KA-300 (please see leaflet no. 112 and 113).

Application made for patent rights.



Order No.	Model	Carrying Capacity	Pipe Outside Diameter	Height H mm	Width B mm	Z* mm	Weight kg
131 010	WRG 1,5-47	1.500 kg	200 - 470 mm	930	340	110	56
131 020	WRG 1,5-80	1.500 kg	300 - 800 mm	1350	350	120	90
131 030	WRG 5-150	5.000 kg	600 - 1500 mm	2300	500	200	390

Special Construction:

130 050	RRG-10-200	10.000 kg	1000 - 2000 mm	3000	750	300	1080
130 060	RRG-12-250	12.000 kg	1500 - 2500 mm	3600	750	400	1450

Enquire about our special constructions.

* Adjustment to suit the max. diameter