

Pipe Pulling Device



Application Made for Patent

- *The pipe pulling device for concrete and vitrified clay pipes with bell-shaped socket end*
- *No power or other additional power packs necessary*
- *Powerfull joining with the hydraulic installation*
- *Simple operation by hand pump*

Mini Pipe Pulling Device

The mini pipe pulling device is adjusted via the spindle to suit the outside diameter of the pipe and it is tensioned behind the socket end (Fig. 2) of the pipe.

The chain is fit in the pulling bar to pull the pipe via the hand pump. In order to avoid that the last laid pipe is pulled out again tension the mini pipe pulling device in the last but one laid pipe.



Fig. 2

Order No.	Model	Pulling Force Max.* Approx. t	For Pipe Outside Diameter mm	Stroke mm	Weight Approx. kg
125 100	RZA-200-430	0.5	200 - 430	130	42

Delivered unit: standard equipment complete with hydraulic, 15 m pulling chain, pulling bar

Pipe Pulling Device

Pipe pulling device, basic equipment with tensioning cylinder for tensioning on the pipe _____

Pump lever for manual operation _____

Hydraulic power pack with oil tank, pressure gauge and valve _____
Max. pressure: 150 bar

Tensioning arms, adjustable to suit the required pipe outside diameter _____

Pulling cylinder, stroke 300 mm _____

Clamping jaws _____

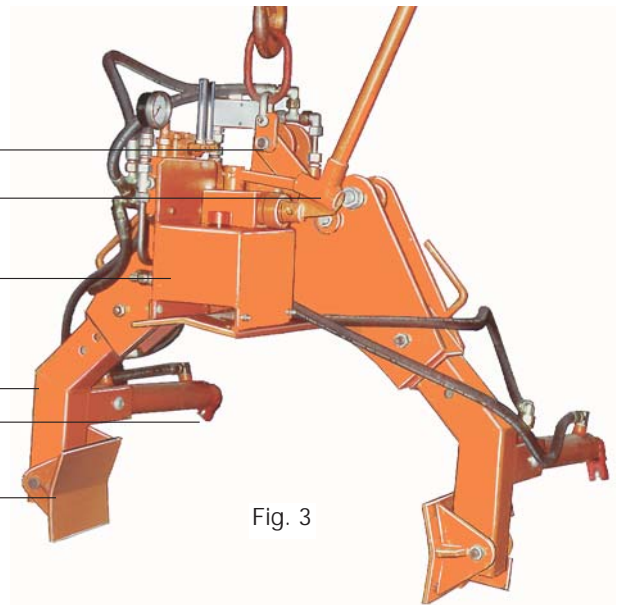


Fig. 3

Working procedure:

- Adjust the length of the two clamping arms to suit the new pipe diameter.
- Tension the pipe pulling device behind the socket end of the previously laid pipe.
- Position the next pipe to be laid.
- Fit the pulling bar and fix the pulling chains (Fig. 1).
- Pull the pipe via the two pulling cylinders.

Order No.	Model	Pulling Force Max.* Approx. t	For Pipe Outside Diameter mm	Stroke mm	Weight Approx. kg
125 200	RZA-350-750	1.5	350 - 750	300	177
125 300	RZA-600-1250	1.5	600 - 1250	300	317

Delivered unit: standard equipment complete with hydraulic installation, two pulling chains of 15 m length each, pulling bar.

*) The pulling force depends on the pipe weight and the pipe surface. Therefore, a general specification is not possible.