

820

Gamma Levator



Patented / Application Made for Patent

- *The New Vacuum Technology for Lifting*
- *Mini-Vacuum-Pump with Battery*

Gamma Levator - The Vacuum Lifter for Lifting Without Any Current or Compressed Air Supply



All even natural stones or air-tight concrete plates as well as glass and metal plates can be handled horizontally without problems using the Gamma Levator.

The Levator System is designed for handling smooth as well as rough plates.

Immediately after positioning the Levator, it attaches itself securely to the plate. The Levator releases the plate, when required: open the sliding switch.

The Levator System guarantees maximum power despite its minimum energy requirement: therefore, only a power of 12 V is needed.

The energy is supplied via a rechargeable 12 volt battery. No current or compressed air supply is necessary.

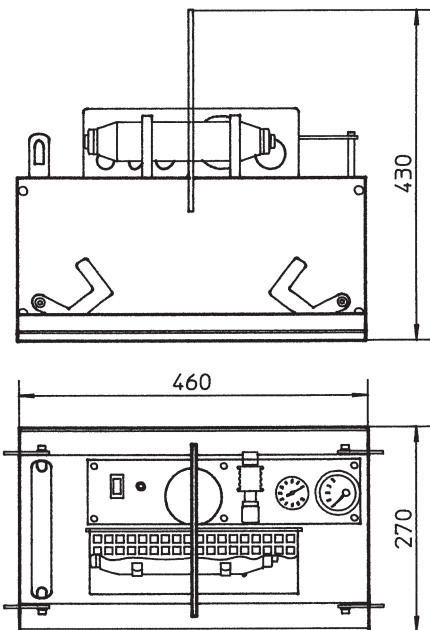
The vacuum is controlled by a visual warning sign. The battery output is controlled by a voltmeter.

All component parts are packed into a box. There are no trailing cables. The Gamma Levator can be fitted to any material handling lifting equipment via the eye.

Scope of delivery: the equipment is constructed according to UVV-VBG 9a "Regulations for the Prevention of Accidents - Load Suspension Devices within the Hoisting Operation", battery 12 V - 27 Ah (sufficient for approx. 8 hours duration non-stop operation), vacuum pump, water trap, filter, voltmeter, manometer, vacuum storage, non-return valve, visual warning sign, ready for operation.

Patented in the USA; Application made for German patent.

Special designs available on request.



Order No.	Model	Carrying Capacity	Width x Length	Weight
820 100	Gamma 200 Levator	200 kg *	270 x 460 mm	42 kg
820 260	Battery Charger 220 V / 12 V			

* Maximum carrying capacity to handle the optimal surface. In the case of rough or porous surfaces, the carrying capacity decreases or does not exist.



Carrying Modules

Carrying Module **G 2** with 2 suction pads 460 x 270 mm.

Adjustable length 320 - 770 mm.

Suction pads rotate through 90°.

Carrying capacity: 500 kg *

Application: large plates, eg. metal plates, plastic plates ...



Carrying Module **G 4** with 4 suction pads 260 x 150 mm.

Adjustable length 320 - 1,200 mm.

Adjustable width 320 - 770 mm.

Carrying capacity: 200 kg *

Application: large plates, eg. metal plates, plastic plates ...



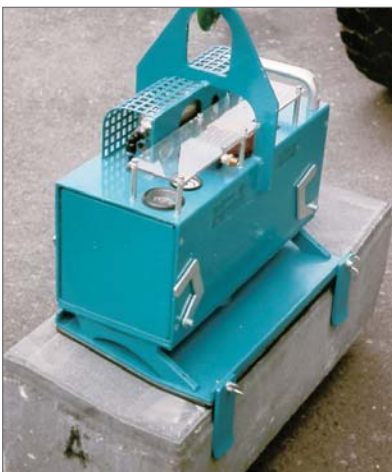
Carrying module **G 4/S** with 4 suction pads 460 x 260 mm.

Max. construction length approx. 1,960 mm.

Max. construction width approx. 1,050 mm.

Carrying capacity: 500 kg *

Application: large plates, eg. metal plates, plastic plates ...



Gamma Levator with specially formed suction pad for TASIKO plates for petrol stations, carrying capacity 130 kg *.

Special designed suction pads



Special designed suction pad **G 1**, 275 x 360 mm, carrying capacity 150 kg *.



Carrying module **G 5** with 2 adjustable suction pads, carrying capacity 150 kg *.

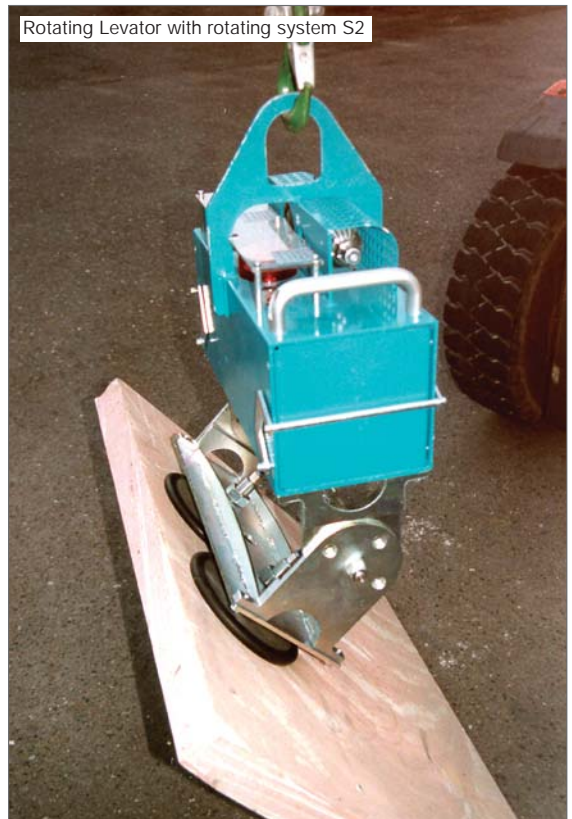
Applications

Tubo Levator for the best handling of ductile iron-, plastic-, vitrified clay- and concrete pipes

Gamma Levator with Carrying Module for Roof Panels



Rotating Levator with rotating system S2



Tubo Levator for pipes up to 300 mm inside diameter